

SKIPPERS !

KEEP YOUR BOTTOMS CLEAN 24/7

The innovative, in-the-water solution to protect your boat from barnacles, marine pests and growth.

Easy Cradles are individually designed to fit any type of vessel - Stern Drivers, Launches & Yachts.

easy
CRADLE

CLEAN
HULL
SYSTEM

Suitable for:

- Swing Moorings
- Pole Moorings
- Marinas



AGENT DETAILS:

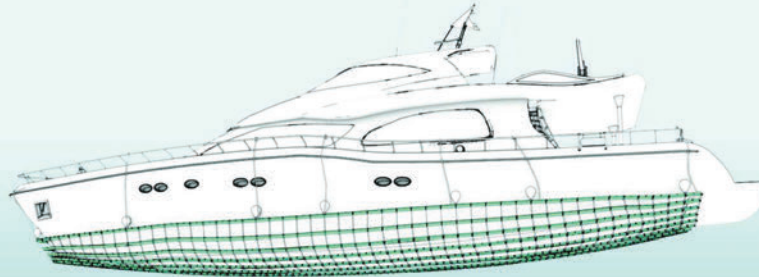
Introducing the world's first 24 hour Hull Cleaning System, powered by nature.

EASY-CRADLE is a simple, in-the-water solution that has been developed, built, and distributed by Snepel Innovations.

Recognising the growing awareness for simpler, more cost efficient ways to meet the demand for cleaner, bio-friendly methods of hull maintenance, we turned to the natural forces of nature – wind, waves and tidal movement. Utilising this endless energy source, we have designed a simple system that is not only easy to install, but easy to use, operate and maintain.

Designed to suit most vessels. Whether it's recreational or commercial, we have a solution for you to look after your boat.

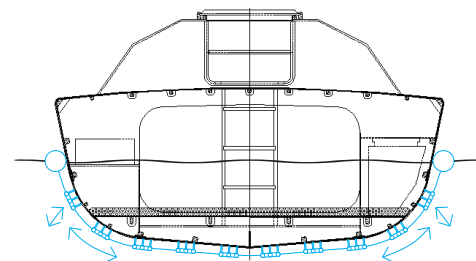
We believe EASY-CRADLE will help boat owners and operators to not only save on hull maintenance, but play a part in maintaining a healthy and safe coastal environment we can all enjoy.



A patented cradle system consisting of plastic planks with rubber blades hugs the hulls' surface

How it works.

A floating bed of soft rubber strips that form a cradle which attaches at the head to the mooring. As the vessel approaches the mooring, it rides over the floating bed, conforming to the shape of the hull to the water line. The vessel is then attached to the mooring in the usual manner. With simple attachments to the hull at the various float points, the hull is 'cradled' in a bed of rubber strips that are constantly agitated along the hull surface by the natural elements – tidal currents and winds.



Boat owners can apply for a clean hull certificate from M.P.I.

Discover the benefits of EASY-CRADLE.

- Dramatically reduce need for anti-fouling*
- More efficient boating with less drag
- Retain the value of your vessel
- Reduced fuel costs
- Available as a kitset - ask us about approved installers
- Attaches simply to your mooring
- Easy to use and cost effective
- Your hull stays cleaner, longer
- Save on maintenance costs
- Environmentally friendly

* EASY-CRADLE can cover 80-90% of the hull surface. In water cleaning of areas not reached by the EASY-CRADLE is recommended. Intermittent cleaning of the EASY-CRADLE is recommended, i.e. waterblasting or brushing.

ALSO AVAILABLE & COST EFFECTIVE
EASY-CRADLE MAT

This is the most cost effective option to start. The 3 meter cradle mat can be extended in 3 meter increments to a full size cradle over a period of time.

The DIY alternative to the EASY-CRADLE. This kitset hull cleaning system is available as a 2m or 3m mat that can be repositioned along the length of the hull overtime to clean the hull surface below the waterline.

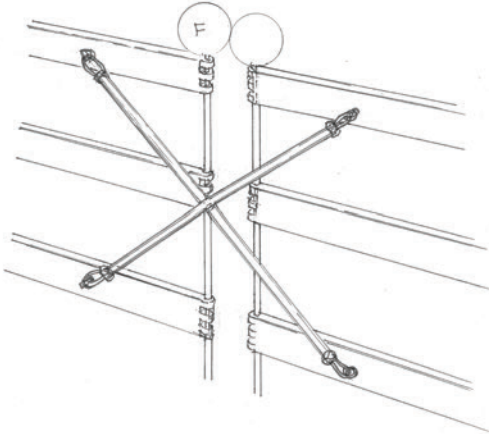


Diagram for attachment of cradle extension.

Bespoke design and easy to install.

Available as a kitset and easy to install, the EASY-CRADLE Clean Hull System can clean 80-90% of a hulls surface while moored.

It's bespoke design accommodates most hull shapes, with simple adaptations for keels and propellers.

Once in place, it is always ready for action. Allowing you time to get on with more enjoyable things.

Knot Blok.

Knot Blok, a purpose designed and patented device utilised at key connection points for fast, efficient assembly and adjustment.



Single Blok

Double Blok

Rubber
Cradle Blade



Reduce maintenance costs.

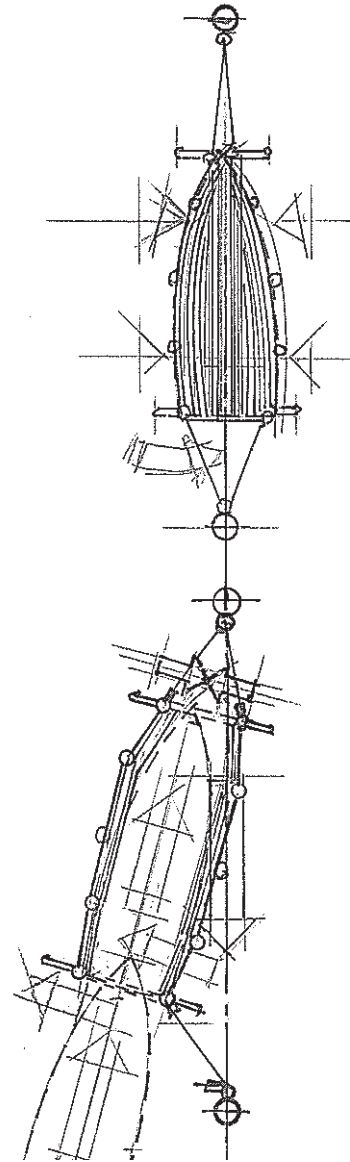
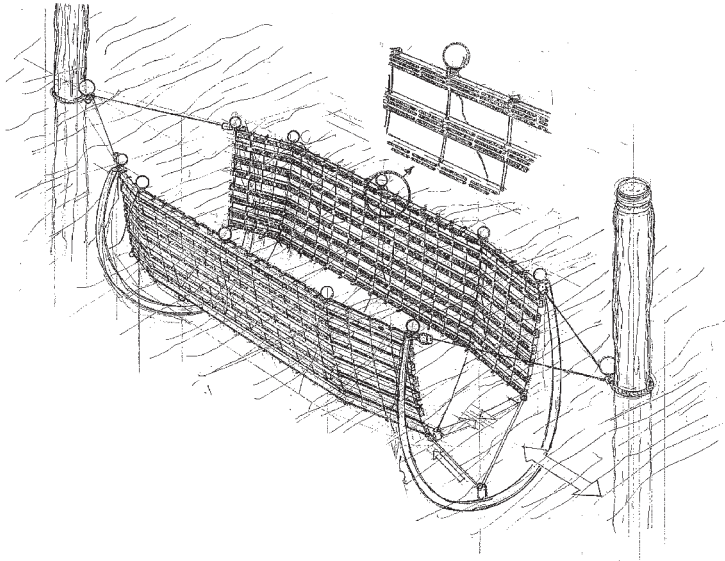
Traditionally, regular haul out and hard stand cleaning, followed by the application of anti-fouling paints has been the method preferred. This has always been an expensive exercise and, depending on circumstances, more often than expected. Even the residual action of the paint itself is now coming into question.

With the EASY-CRADLE we recommend you start with a reasonably clean hull (although not essential) and enjoy significantly longer periods of time between a major overhaul of the hull surface, as the nature elements maintain an agitation that does not allow fouling to take hold,* minimising the need for antifouling.

ALSO AVAILABLE

POLE MOORING

Pole Mooring has four entry and exit points through a slip mooring rope on each end.



SNEPPEL
INNOVATIONS LTD

3 Fairview Briars, Rangiora 7400,
New Zealand.

P 022 472 3814 **E** art@sneppel.co.nz

W www.sneppel.co.nz

EASY-CRADLE Clean Hull System: NZ Patent No. 751496

Knot Blok: NZ Patent No. 755406